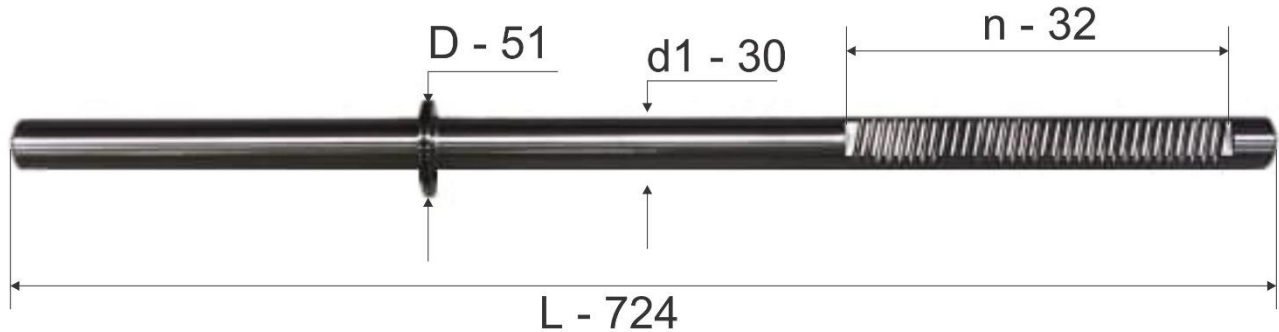




**Steering rack bar Part No. 20150202**



Application
(L - 724, d1 - 30, n - 32, D - 51) BMW 5 (F07) 2009- serv; BMW 7 (F01, F02, F03, F04) 2009-

**FITS THE FOLLOWING**

Rack part number	Crossreferences	Application
ATGR27221RB	BMW 32102475173, 32106795220, 32106785474, 32106797295, 32106793195, 32106781599, 32106795222, 32106793193  Bosch  KS00000994, KS01000964	BMW 5 Series VI (F10/F11/F07) (2009-2013) 5 Series VI (F10/F11/F07) Restyling (2013-2017) 7 Series V (F01/F02/F04) (2008-2012) 7 Series V (F01/F02/F04) Restyling (2012-2015)

More new products at <https://www.atg-components.com/warehouse-news>